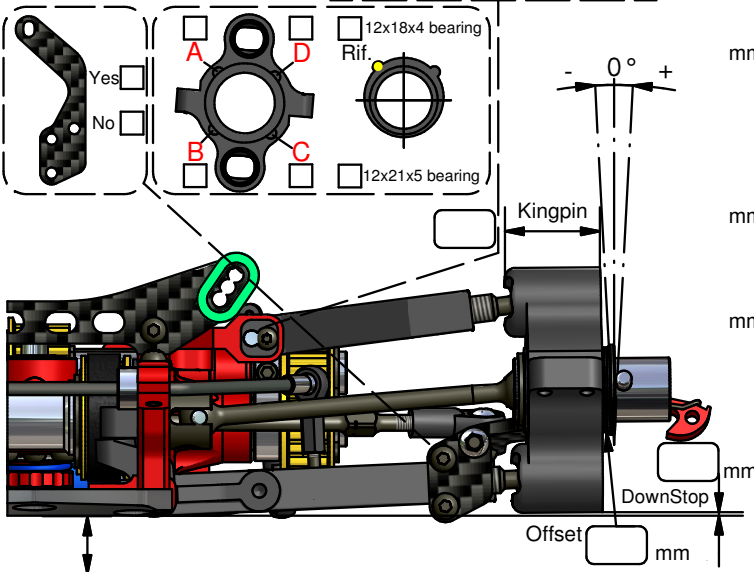
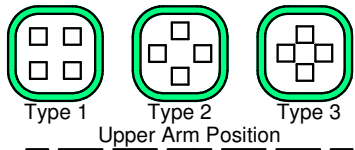


C803 Blank Set-Up Sheet

Capricorn RC

Front



CAMBER

LEFT

RIGHT

TOE / SIDE

mm

WIDHT

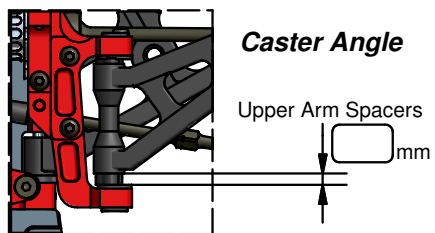
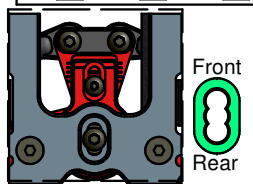
mm

ACKERMANN INSERTS

8,5 9 10 11 12 mm

S.SAVER ARM

MONOLITHIC mm



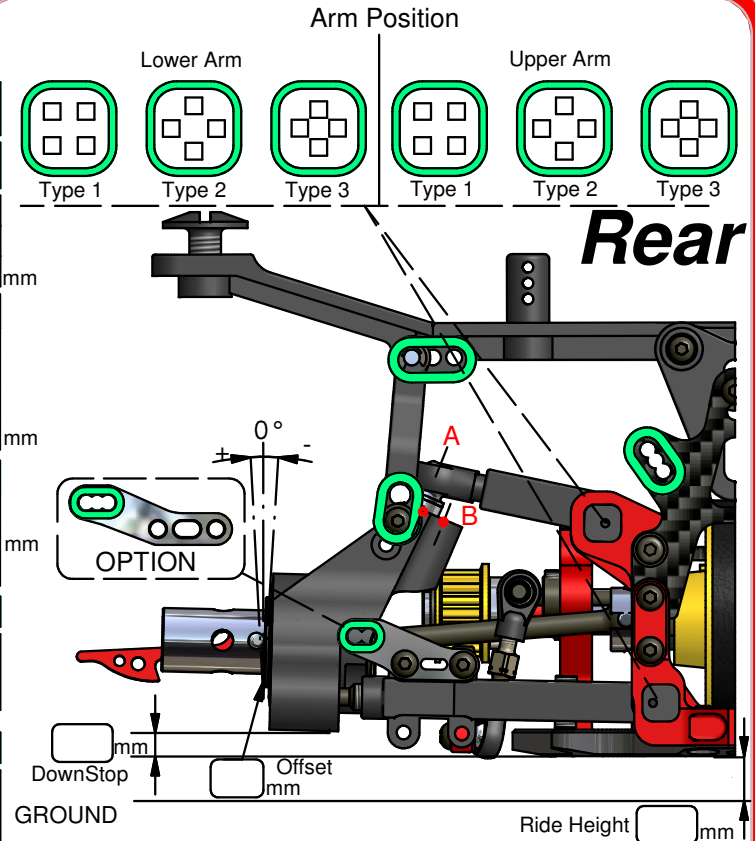
Made in Italy



FRONT

REAR

LEFT	RIGHT	TYRES	LEFT	RIGHT
mm		BRAND	mm	
mm		SHORE	mm	
mm		DIAMETER	mm	
SHOCK ABSORBERS Std Bore <input type="checkbox"/> Big Bore <input type="checkbox"/>				
mm		OIL SPRING PISTON HOLES ϕ	mm	
ANTI-ROLL BARS				
mm		TYPE ϕ	mm	
1 ST SPUR GEAR			2 ND	
<input type="checkbox"/> 60	<input type="checkbox"/> 61	<input type="checkbox"/> 62	<input type="checkbox"/> 56	<input type="checkbox"/> 57
1 ST PINION			2 ND	
<input type="checkbox"/> 19	<input type="checkbox"/> 20	<input type="checkbox"/> 23	<input type="checkbox"/> 24	
DRIVE TRAIN		FLEX SYSTEM		
MIDDLE AXLE PULLEY	<input type="checkbox"/> 29 <input type="checkbox"/> 30	Diff. <input type="checkbox"/>	Front <input type="checkbox"/> Yes <input type="checkbox"/> No	Rear <input type="checkbox"/> Yes <input type="checkbox"/> No
ENGINE				
TYPE PLUG		MUFFLER NITRO		
BODY TYPE				
SET-UP SHEET				
NAME				
DATE				
TEMP				
TRACK				
TRACTION				
RESULT				
BEST LAP				



CAMBER

LEFT

RIGHT

TOE /SIDE

mm

WIDHT

mm

ARM POSITION

A B

UPPER ARM SHIM

mm

BODY POSITION

mm

BODY COLUMNS POSITION

Forward Backwards

Side weight strip R 16 gr. F Rear weight 15 gr.

screws position

Additional notes