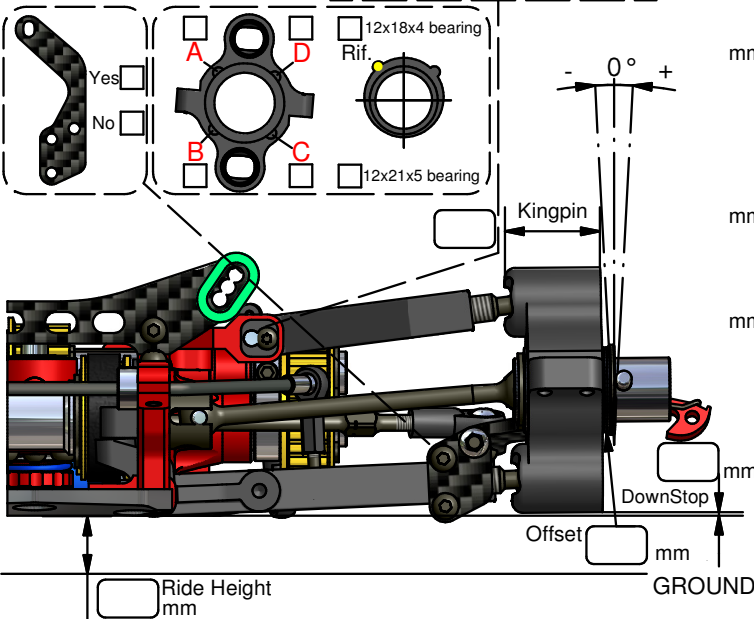
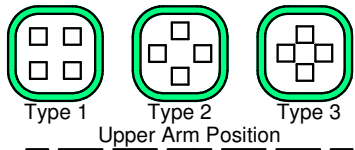


C803 Blank Set-Up Sheet

Capricorn RC

Front



CAMBER

LEFT
RIGHT

TOE / SIDE

mm

WIDHT

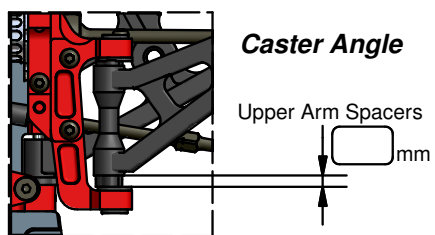
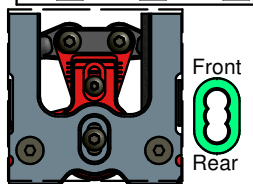
mm

ACKERMANN INSERTS

8,5 9 10 11 12 mm

S.SAVER ARM

MONOLITHIC mm



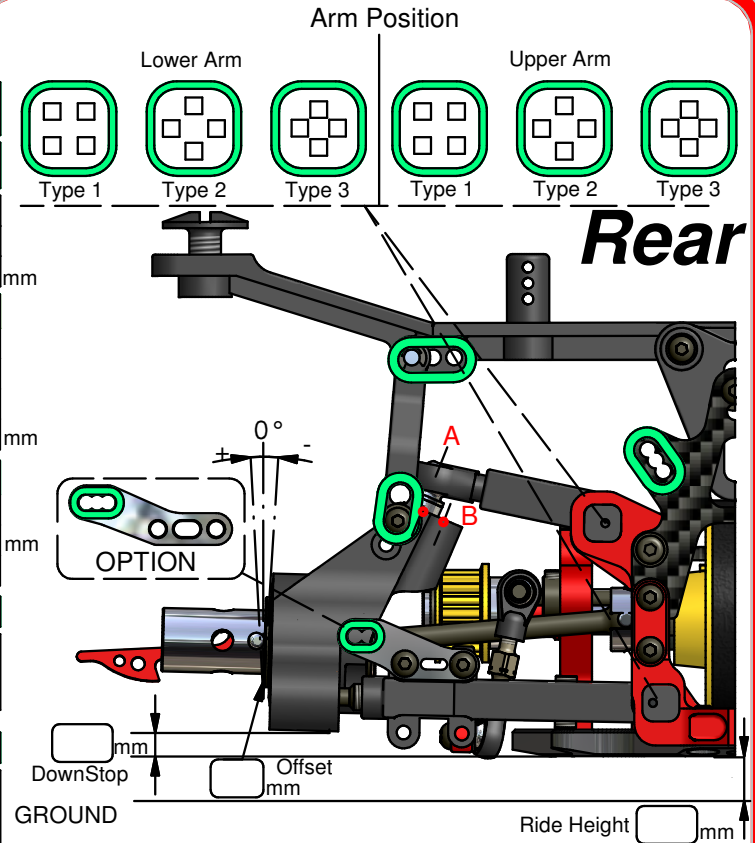
Made in Italy



FRONT

REAR

LEFT	RIGHT	TYRES	LEFT	RIGHT
mm		BRAND	mm	
mm		SHORE	mm	
mm		DIAMETER	mm	
SHOCK ABSORBERS Std Bore <input type="checkbox"/> Big Bore <input type="checkbox"/>				
mm		OIL	mm	
mm		SPRING	mm	
mm		PISTON	mm	
mm		HOLES Ø	mm	
ANTI-ROLL BARS				
mm		TYPE	mm	
mm		Ø	mm	
1 ST SPUR GEAR 2 ND				
<input type="checkbox"/> 60	<input type="checkbox"/> 61	<input type="checkbox"/> 62	<input type="checkbox"/> 56	<input type="checkbox"/> 57
<input type="checkbox"/> 58				
1 ST PINION 2 ND				
<input type="checkbox"/> 19	<input type="checkbox"/> 20	<input type="checkbox"/> 23		<input type="checkbox"/> 24
DRIVE TRAIN		FLEX SYSTEM		
MIDDLE AXLE PULLEY	<input type="checkbox"/> 29 <input type="checkbox"/> 30	Diff.	Front	Rear
		<input type="checkbox"/>	<input type="checkbox"/> Yes <input type="checkbox"/> No	<input type="checkbox"/> Yes <input type="checkbox"/> No
ENGINE				
TYPE		MUFFLER		
PLUG		NITRO		
BODY TYPE				
SET-UP SHEET				
NAME				
DATE				
TEMP				
TRACK				
TRACTION				
RESULT				
BEST LAP				



CAMBER

LEFT
RIGHT

TOE /SIDE

mm

WIDHT

mm

ARM POSITION

A B

UPPER ARM SHIM

mm

BODY POSITION

mm

BODY COLUMNS POSITION

Forward Backwards

Side weight strip

R 16 gr. F 15 gr.

screws position

Additional notes